

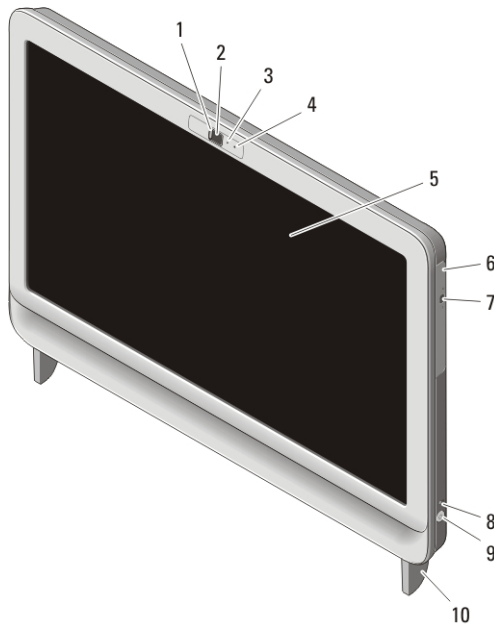
# Dell Vostro 360

## Setup And Features Information

### About Warnings

 **WARNING:** A WARNING indicates a potential for property damage, personal injury, or death.

### Front View



**Figure 1. Front View**

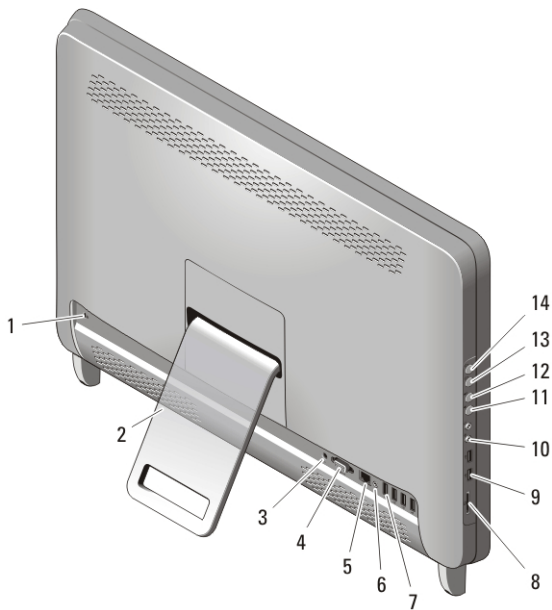
- |                          |                               |
|--------------------------|-------------------------------|
| 1. camera privacy cover  | 6. optical drive              |
| 2. camera                | 7. optical-drive eject button |
| 3. camera activity light | 8. drive activity light       |
| 4. microphone            | 9. power button               |
| 5. display               | 10. stand                     |



0T8G3FA00

Regulatory Model : W03C  
Regulatory Type : W03C001  
2011 - 05

## Back View



**Figure 2. Back View**

- |                             |                                         |
|-----------------------------|-----------------------------------------|
| 1. security cable slot      | 9. USB 2.0 connectors (2)               |
| 2. rear stand               | 10. headphone and microphone connectors |
| 3. power connector          | 11. volume decrease button              |
| 4. VGA-out connector        | 12. volume increase button              |
| 5. network connector        | 13. brightness decrease button          |
| 6. line-out connector       | 14. brightness increase button          |
| 7. USB 2.0 connectors (4)   |                                         |
| 8. 8-in-1 media card reader |                                         |

## Quick Setup

**!** **WARNING:** Before you begin any of the procedures in this section, read the safety information that shipped with your computer. For additional best practices information, see [www.dell.com/regulatory\\_compliance](http://www.dell.com/regulatory_compliance).

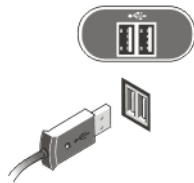
**✍** **NOTE:** Some devices may not be included if you did not order them.

1. Set up the rear stand.



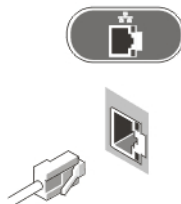
**Figure 3. Rear Stand setup**

2. Connect the USB keyboard or mouse. To connect a wireless keyboard and mouse, see *Setting Up Your Dell Cordless Mouse, Keyboard, and USB Receiver* tech sheet that shipped with your wireless keyboard and mouse.



**Figure 4. USB Connection**

3. Connect the network cable (optional).



**Figure 5. Network Connection**

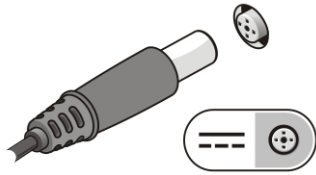
4. Connect the power cable.



**WARNING: Connect the power adapter to the nearest power outlet.**

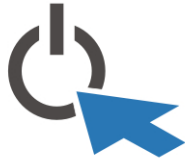


**WARNING: Extension cords or power strips should never be used as a substitute for permanent electrical wiring.**




**Figure 6. Connecting Power**

5. Press the power button on the computer.



**Figure 7. Turning On Power**

## Specifications

 **NOTE:** The following specifications are only those required by law to ship with your computer. For a complete and current listing of the specifications for your computer, go to [support.dell.com](http://support.dell.com).

---

### System Information

---

Chipset	Intel H61 Express Chipset
Processor	<ul style="list-style-type: none"> <li>• Intel Core i3</li> <li>• Intel Core i5</li> <li>• Intel Core i7</li> <li>• Intel Pentium Dual Core</li> </ul>
Total Cache	up to 8 MB cache depending on processor type

---

### Video

---

Video type:	
Integrated	Intel HD / HD 2000 / HD 3000 Graphics (depending on processor type)
Discrete	NVIDIA GeForce GT 525M

---

**Video**

---

Video memory:

Integrated	Up to 384 MB of shared video memory
Discrete	up to 1 GB

---

**Memory**

---

Memory module connector	two SO-DIMM slots
Memory module capacity	1 GB, 2 GB, and 4 GB
Memory type	DDR3 with 1333 MHz
Minimum memory	2 GB
Maximum memory	8 GB

---

**Drives**

---

Externally accessible:

5.25-inch drive bays	one
----------------------	-----

Internally accessible:

3.5-inch SATA drive bays	one
--------------------------	-----

**Control Lights And Diagnostic Lights**

Power light	White light — Solid white light indicates power-on state.  Amber light — The computer is in sleep/standby mode or there might be an issue with the system board or the power supply. Blinking amber light indicates that the computer has detected an error during the Power-on self-test (POST).
Drive activity light	White light — Blinking white light indicates that the computer is reading data from or writing data to the hard drive.
Network connectivity light	Green light — A good connection exists between the network and the computer.  Off (no light) — The computer is not detecting a physical connection to the network.

---

**Physical**

---

Height	430.00 mm (16.93 inches)
Width	568.00 mm (22.36 inches)
Depth:	
Touchscreen	79.00 mm (3.11 inches)
Non-touchscreen	75.50 mm (2.97 inches)
Weight:	
Touchscreen	9.35 kg (20.61 lb)
Non-touchscreen	8.65 kg (19.07 lb)

---

**AC Adapter**

---

Input voltage	100 VAC to 240 VAC	
Input current	2.3 A/2.5 A	
Input frequency	50 Hz to 60 Hz	
Output power	130 W/150 W	
Output current:		
130 W	6.70 A	
150 W	7.70 A	
Rated output voltage	19.5 +/- 1 VDC	
Dimensions:	130 W	150 W
Height	25.40 mm (1.00 inch)	25.40 mm (1.00 inch)
Width	154.00 mm (6.06 inches)	154.70 mm (6.09 inches)
Depth	76.20 mm (3.00 inches)	76.20 mm (3.00 inches)
Temperature range:		
Operating	0 °C to 40 °C (32 °F to 104 °F)	
Storage	-40 °C to 70 °C (-40 °F to 158 °F)	

---

**Environmental**

---

Temperature:	
Operating	10 °C to 35 °C (50 °F to 95 °F)

---

## Environmental

---

Storage	-40 °C to 65 °C (-40 °F to 149 °F)
Relative humidity	20% to 80% (noncondensing)
Altitude:	
Operating	-15.20 m to 3048 m (-50 ft to 10,000 ft)
Storage	-15.20 m to 10,668 m (-50 ft to 35,000 ft)
Airborne contaminant level	G1 as defined by ISA-S71.04-1985

## Finding More Information and Resources

See the safety and regulatory documents that shipped with your computer and the regulatory compliance website at [www.dell.com/regulatory\\_compliance](http://www.dell.com/regulatory_compliance) for more information on:

- Safety best practices
- Regulatory certification
- Ergonomics

See [www.dell.com](http://www.dell.com) for additional information on:

- Warranty
- Terms and Conditions (U.S. only)
- End User License Agreement

Information in this publication is subject to change without notice.

© 2011 Dell Inc. All rights reserved.

Reproduction of these materials in any manner whatsoever without the written permission of Dell Inc. is strictly forbidden.

Trademarks used in this text: Dell™, the DELL logo, Dell Precision™, Precision ON™, ExpressCharge™, Latitude™, Latitude ON™, OptiPlex™, Vostro™, and Wi-Fi Catcher™ are trademarks of Dell Inc. Intel®, Pentium®, Xeon®, Core™, Atom™, Centrino®, and Celeron® are registered trademarks or trademarks of Intel Corporation in the U.S. and other countries. AMD® is a registered trademark and AMD Opteron™, AMD Phenom™, AMD Sempron™, AMD Athlon™, ATI Radeon™, and ATI FirePro™ are trademarks of Advanced Micro Devices, Inc. Microsoft®, Windows®, MS-DOS®, Windows Vista®, the Windows Vista start button, and Office Outlook® are either trademarks or registered trademarks of Microsoft Corporation in the United States and/or other countries. Blu-ray Disc™ is a trademark owned by the Blu-ray Disc Association (BDA) and licensed for use on discs and players. The Bluetooth® word mark is a registered trademark and owned by the Bluetooth® SIG, Inc. and any use of such mark by Dell Inc. is under license. Wi-Fi® is a registered trademark of Wireless Ethernet Compatibility Alliance, Inc.

Other trademarks and trade names may be used in this publication to refer to either the entities claiming the marks and names or their products, Dell Inc. disclaims any proprietary interest in trademarks and trade names other than its own.